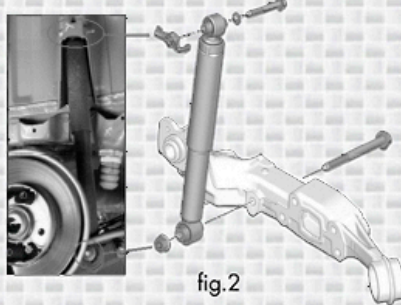
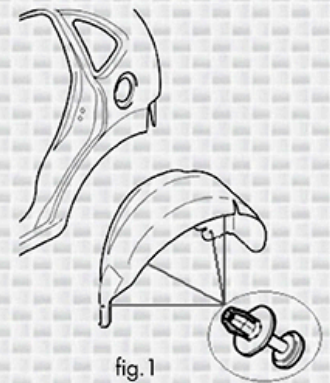




Removal of rear shocks

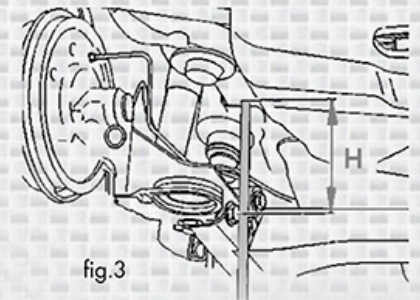
- Place the vehicle on a lift, in order to maintain the vehicle on its wheels
- Set up a spring compressor on the rear springs
- Raise the vehicle (wheel hanging)
- Deposit the springs



- Deposit the rear wheels, then remove the clips (4 clip per side) (Fig. 1)
- Deposit the fixation of the shocks (Fig. 2)

Installing of the rear shocks

- Position the shocks and tighten the top screw to the required torque
- Place a jack lift axle under the rear axle, then lift the rear axle until a dimension o (H) of 160mm (Fig. 3)
- Tighten the lower screw of the shocks to the required torque.
- Go down the rear axle and take off the jack lift axle
- Reset the springs on the rear axle
- Take off the compressor of springs
- Reset the clips and the rear wheels



Tightening torque :

Upper fixation of the shocks : 4.5 daN.m (+/- 0.4)

Lower fixation of the shocks : 9.3 daN.m (+/- 0.9)

Screw of wheel : 9 daN.m (+/- 1)

CITROËN



MONROE		REFLEX	ORIGINAL	i	C	REFLEX	ORIGINAL	C
C 2								
1.1, 1.4, 1.6, 1.4 HDi (+) MD	9.03– 8.04	E4995 (E4995R E4996L)	G16449 G16450	MK184 PK104	↕ ↕	E1318	23966	○ ○
1.1, 1.4, 1.6, 1.4 HDi (+) MD	9.03– 8.04		G8017 G8018	MK184 PK104	↕ ↕		23985	○ ○
1.1, 1.4, 1.6, 1.4 HDi (+) MD	9.04–	E4995 (E4995R E4996L)	G16449 G16450	PK104	↕ ↕	E1318	23966	○ ○
1.1, 1.4, 1.6, 1.4 HDi (+) MD	9.04–		G8017 G8018	PK104	↕ ↕		23985	○ ○

You will find all our shocks on our online catalog :
www.monroecatalogue.eu