

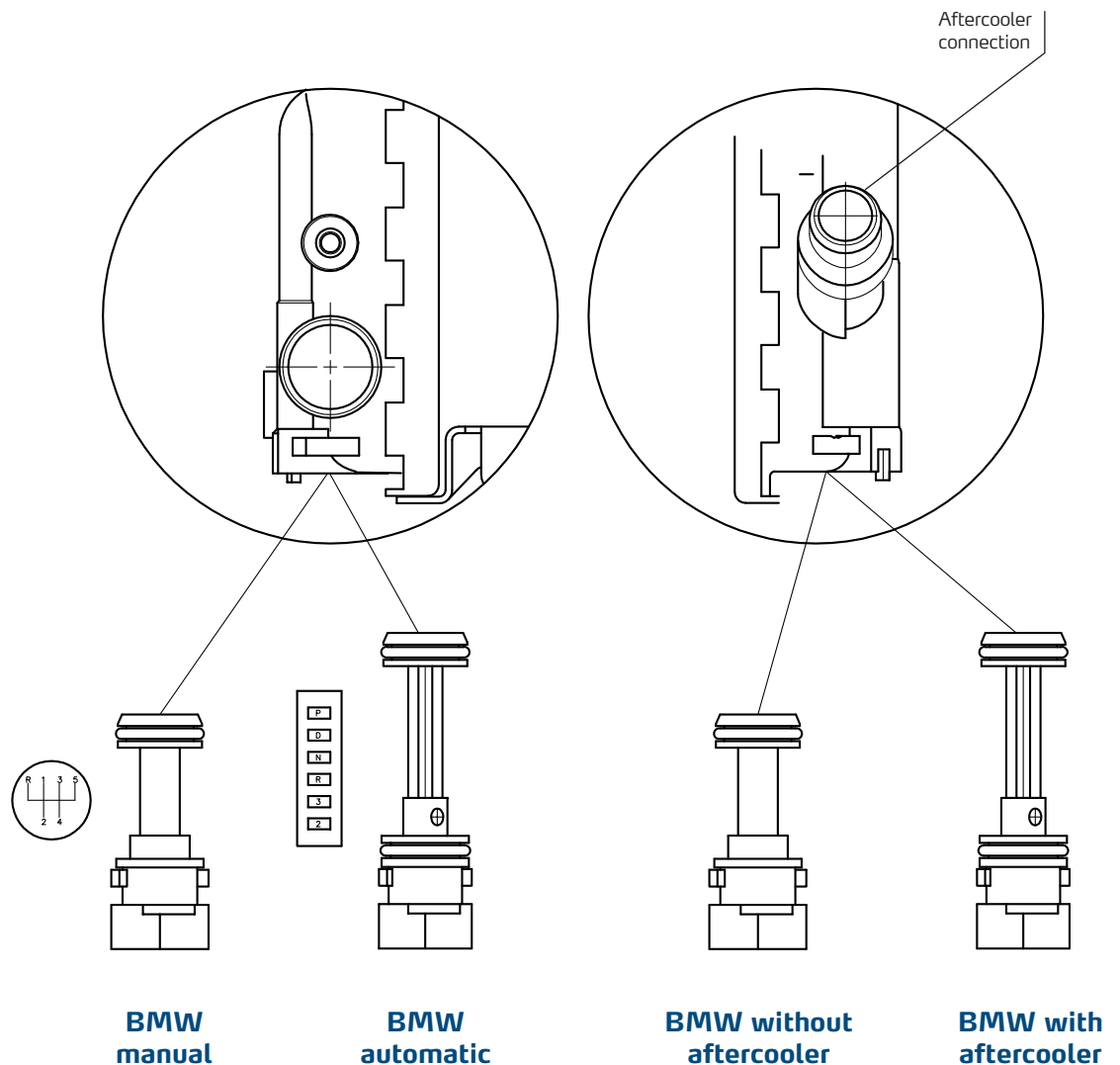


# SHORT/LONG BOTTOM PLUG 60786A

The radiator is equipped with a long bottom plug for automatic version. For manual version, it is necessary to replace the long bottom plug with the short bottom plug added in the product box.

For the version with aftercooler, it is necessary to replace the short bottom plug with the long bottom plug added in the product box.

Before installing the long bottom plug, you should apply silicone or acid-free oil/grease to the O-ring(s). Do not damage the O-ring near the edge of the heat exchanger outlet during installation.



For more technical product information, please consult our online catalogues at [www.nissens.com/catalogue](http://www.nissens.com/catalogue), or contact your local sales office or one of the official Nissens distributors.

**Nissens**<sup>®</sup>

DELIVERING THE DIFFERENCE

**Nissens A/S**  
Ormhøjgårdvej 9  
DK-8700 Horsens  
Tel.: +45 7626 2626  
Fax: +45 7564 2205  
[www.nissens.com](http://www.nissens.com)