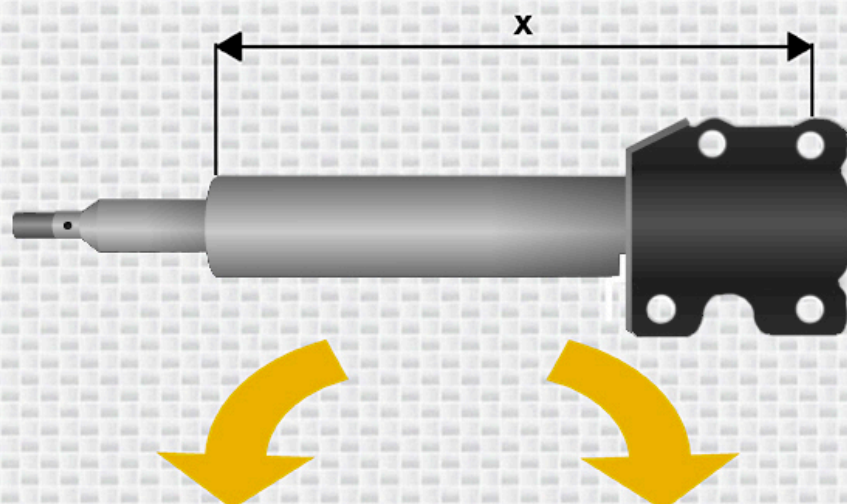


FITTING INSTRUCTION

Mercedes Sprinter



F1080EU



X = 319.5 mm : V4503

Ref. OE

901 320 02 30 / 901 320 03 30
 901 320 08 30 / 901 320 13 30
 901 320 14 30 / 901 320 15 30
 901 320 18 30 / 901 320 20 30
 901 320 21 30 / 901 320 22 30
 901 320 29 30 / 903 320 01 30
 903 320 02 30 / 903 320 03 30
 903 320 05 30 / 2D0 413 029
 2D0 413 029B

X = 345.5 mm : V4507

Ref. OE

904 320 07 30 / 904 320 08 30
 904 320 13 30 / 904 320 14 30
 904 320 16 30 / 904 320 18 30
 904 320 19 30 / 904 320 23 30
 904 320 25 30 / 904 320 26 30
 2D0 413 029A